

Sligh

Installation Instructions



9844-1-LA Flat Panel TV Deck
On the 9744-1-LA TV Console

9844-1-LA TV Deck with the 9744-1-LA TV Console

IMPORTANT

The *9844-1-LA TV Deck* is only compatible with the *Sligh 9744-1-LA TV Console*. It must be properly attached to this console to prevent it from falling over.



Tools Required

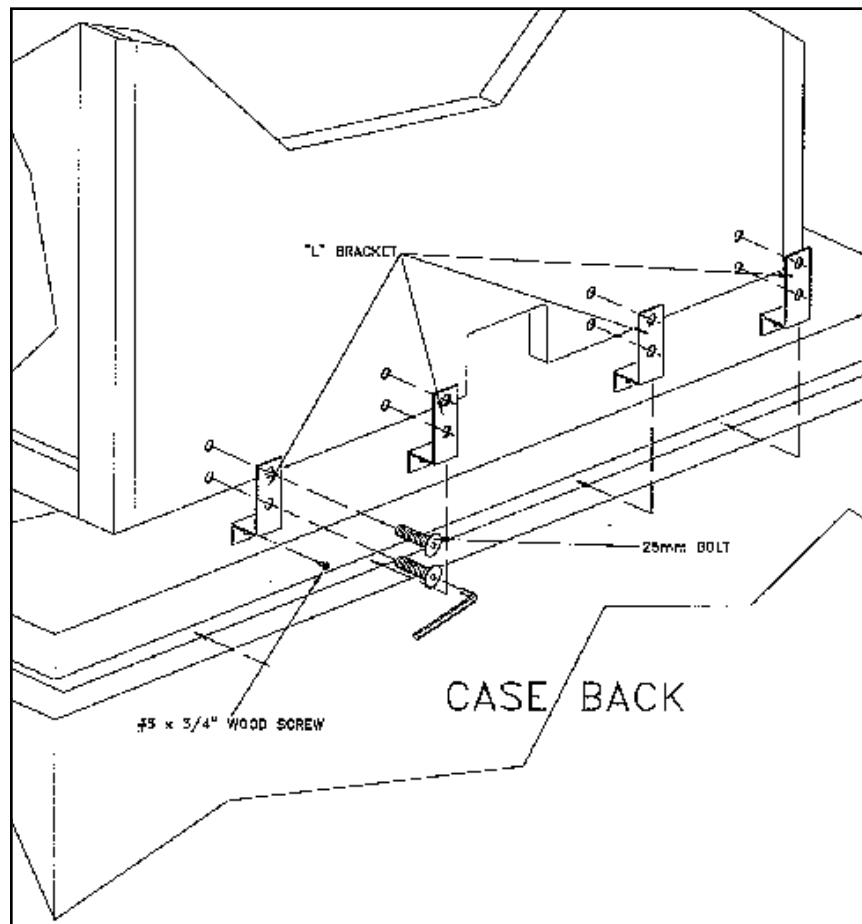
1. 5mm Allen wrench (enclosed)
2. Phillips head screwdriver

Included

- Four steel "L" brackets
- Eight 25mm bolts
- Four #5 x 3/4" wood screws

Attaching the Deck to the Console

1. Set the deck on top of the lower console and align the back edges.
2. Locate the four enclosed steel "L" brackets, align them with the corresponding threaded inserts in the back panel, insert two 25mm bolt thru the holes located in the upper portion of the bracket and tighten the bolts with the 5mm Allen wrench provided.
3. Insert one #5 x $\frac{3}{4}$ " wood screw thru the hole located in the bottom side of the "L" bracket and screw it into the indented back edge of the top using a Phillips head screwdriver.

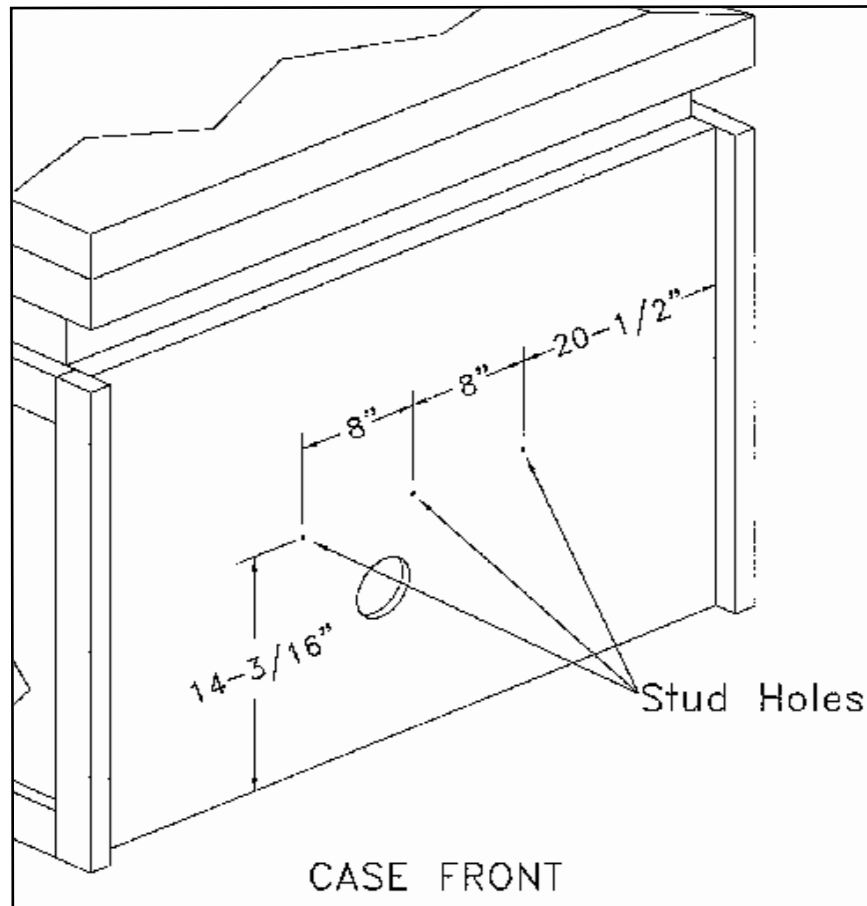


Mounting the TV

The face of the deck unit is engineered to accept most Sanus and OmiMount hanging TV mounting brackets.

When bolting these brackets to the face of the 9844-1-LA TV Deck make sure the bolts are aligned with the studs located behind the front panel.

These studs provide a solid anchor for the attachment bolts. The vertical positions of these studs are marked with a small "pilot" hole. Bolts can be inserted at any location above or below this "pilot" hole as long as they are vertically aligned with this hole. Note: Do not mount the TV to the deck unit until the deck unit is secured to the TV console.



Sligh

Sligh Furniture Company Holland, Michigan www.sligh.com 9844 6/07