

Sligh

Installation Instructions



9741-1-CA/WB
ENTERTAINMENT CABINET

**9741-1-CA / WB
ENTERTAINMENT CABINET**



Tools Required

1. Level
2. Phillips head screw driver
3. Allen head wrench (provided)

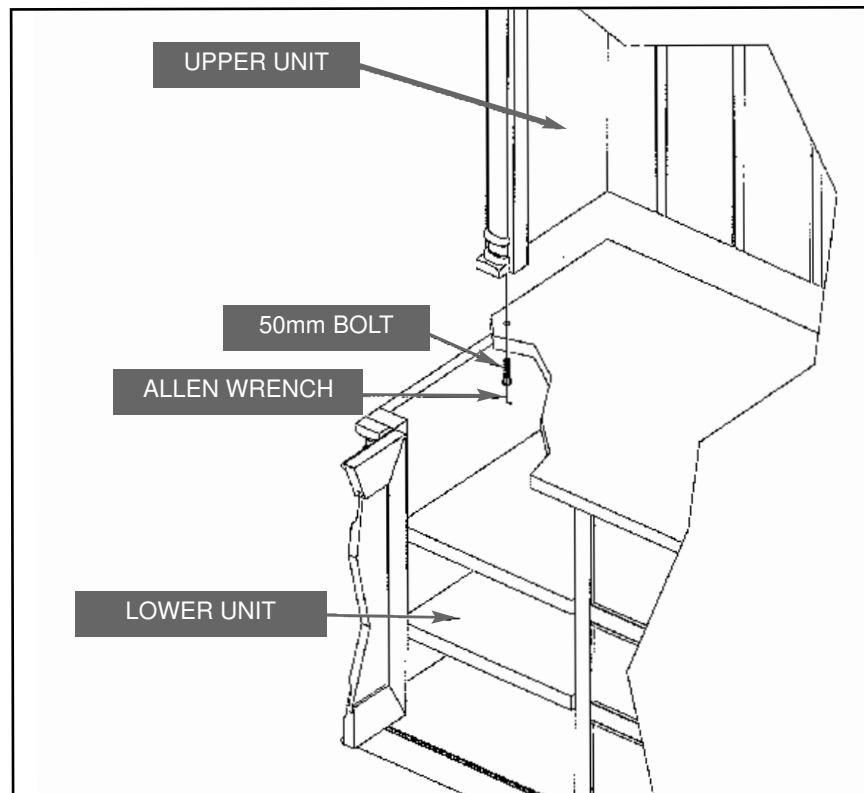
Included

1. Two 50mm bolts
2. Allen head wrench
3. Two 5/8" wood screws

Attaching the Deck to the Console

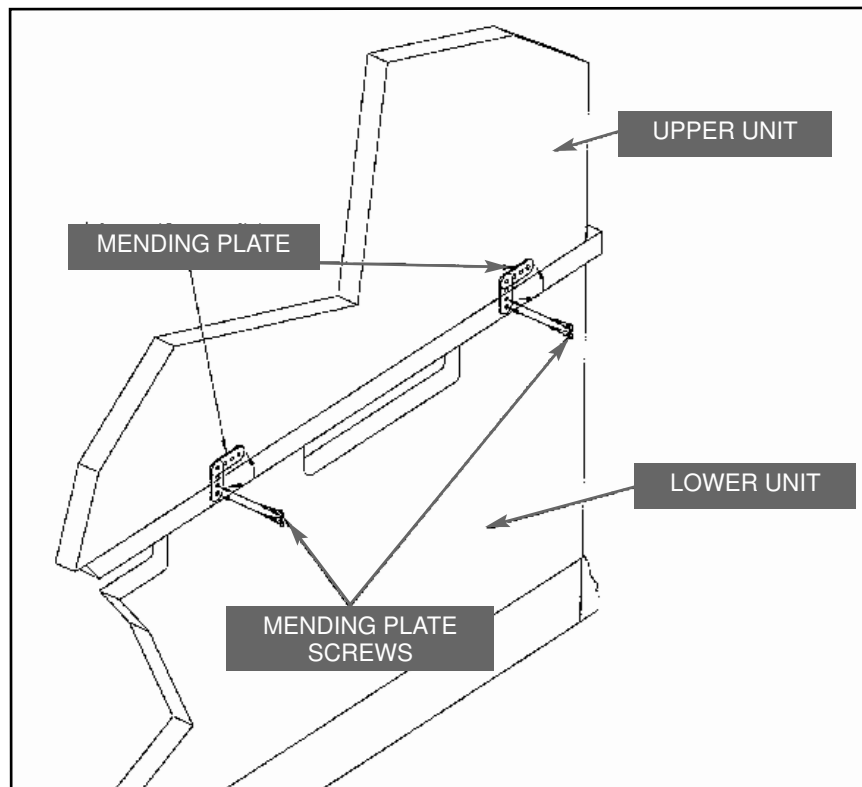
This product ships in two-pieces for easier in-home delivery and set up.

1. Place the lower console into position and level it utilizing the leveler adjusters under the four corners of the base.
2. Move the lower console away from the wall so you can access the rear side of the cabinet. Note: Now is a good time to plug the surge suppressor power cord into a nearby wall outlet.
3. Set the deck unit on top of the lower console.
4. Align the rear edge and corners of the deck unit to match up with the rear edge and corners of the lower console.
5. Open the doors in the lower console, locate the bolt holes in the sub-top which lead to the underside of the LH and RH columns of the deck unit, select two 50mm bolts (provided), insert the bolts thru the sub-top of the lower console and into the threaded inserts located in the bottom ends of the LH and RH columns of the deck unit. Lightly tighten bolts with Allen wrench provided.



Attaching the Deck to the Console...cont.

6. Mending plates are included to help prevent the deck unit from accidentally falling forward and potentially hurting someone or severely damaging the deck unit. Locate these mending plates near the lower edge of the deck unit back panel. Loosen the screw that secures these mending plates to the back panel and rotate one end of the mending plate downward so it bridges the top edge of the lower console.
7. Insert one 5/8" wood screw thru one of the screw holes in the mending plate that is positioned behind the rear edge of the lower console back rail and screw it in place with a Phillips head screw driver.
8. Re-position the console and deck against the wall.
9. Reverse these steps to disassemble these units prior to moving the product a greater distance. Do not move this product in an assembled format.



SPECIAL FEATURES

SMART EYE

WHAT IS IT?

The "SmartEye" enables Sligh to maintain the design integrity of the cabinet without sacrificing appearance for function.

It is designed to allow remote control of electronic components stored behind closed doors. **SmartEye does not come with its own remote. Instead it works with previously purchased universal remotes or the standard remote that comes with your electronic component.**

*For example: You can adjust the volume or sound track on your DVD player by pointing your hand held remote at the **signal receiver** on the face of the cabinet and pressing the appropriate control button on your remote. All while you are sitting on your sofa watching the TV screen!*

HOW IT WORKS

The "SmartEye" includes an external signal receiver, internal control box, internal signal emitters and a power cord/transformer.

SIGNAL RECEIVER

Typically located in a cross rail just under the top of the cabinet. It receives and transmits a signal from your hand held remote to a signal emitter located near the electronic component storage shelf.

Simply aim your hand held remote at this eyelet.

- Note:**
1. A green or red light appears inside the signal receiver to alert you that your command is being transmitted.
 2. This system functions with IR (infrared) remotes only. It does not function with RF (radio frequency) remotes.
 3. The "SmartEye" will transmit a signal within 20' of your remote.



CONTROL BOX

Typically located on the inside face of the back panel or under the top surface. Its purpose is to be a power source and help transmit the actual signal from your hand held remote to the electronic component.

Signal emitter cords, the signal receiver cord and the power cord are all plugged into the control box.



SIGNAL EMITTERS

Small round electronic devices that are located on the face of the inside end panels near the component storage shelves. It transmits the actual signal to the sensors located inside your electronic components.

- Note:** *The face of your electronic component must be positioned behind the round signal emitters for the "SmartEye" to function. The number of emitters varies depending on the number of storage shelves included inside the cabinet. Almost all cabinets have at least 2 emitters. Some cabinets have as many as 8 emitters.*



SPECIAL FEATURES

SMART EYE...cont.

POWER CORD

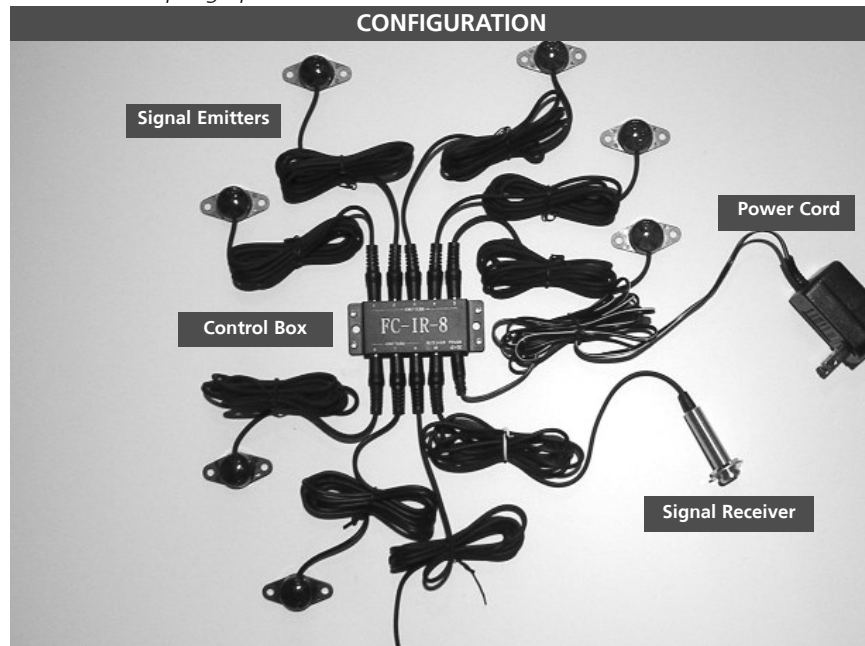
It is plugged into the control box when received by the customer. The other end includes a "transformer-box plug" that is intermingled with the power cord for the surge suppressor. Plug this end into a nearby wall outlet prior to placing the TV console against the wall. The power cord for the surge suppressor must also be plugged into a nearby wall outlet to be operable.



Power Cord

Note: The "SmartEye" will not function unless the power cord is correctly plugged in at both ends. Check to be sure this is the case prior to attempting operation.

CONFIGURATION



Signal Emitters

Control Box

FC-IR-8

Power Cord

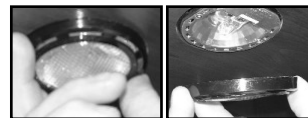
Signal Receiver

DISPLAY LIGHTS

Replacing a light bulb

1. Remove the lens cover by twisting it counter clock wise.
2. Replace the bulb by simply pulling out the old and replacing it with the new bulb.
3. Then replace the lens cover by twisting it clock wise.

NOTE: Some lens covers may be flush to the cabinet which will not give you enough room to grab the cover with your fingers. If so, use a screwdriver or key to gently insert into one of the slots in the lens cover and then turn gently.



TO ORDER: www.furnlite.com.

JCD GY8
25 Watt Halogen Bulb
120 Volt
Bi Pin (GY8 Base)

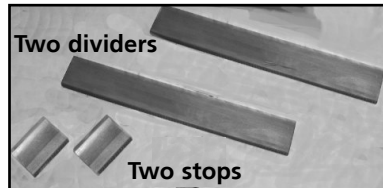
SPECIAL FEATURES

MULTIFLEX MEDIA DRAWER

Each drawer is designed to accommodate CD's, DVD's etc. in an organized flexible manner with the use of Velcro bottom moveable dividers and storage stops.

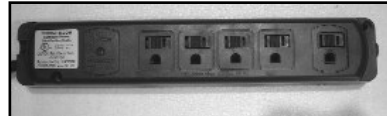


Arrange as preferred. Each drawer comes with



SURGE SUPPRESSOR

Includes 5 power plug outlets, indicator light, optional satellite TV cord, optional co-ax cable.
Protection level: 720 joules, includes breaker



Sligh

Sligh Furniture Company Holland, Michigan www.sligh.com 9741 6/07